

**Weld-On Ball & Spoon Type Hitch**

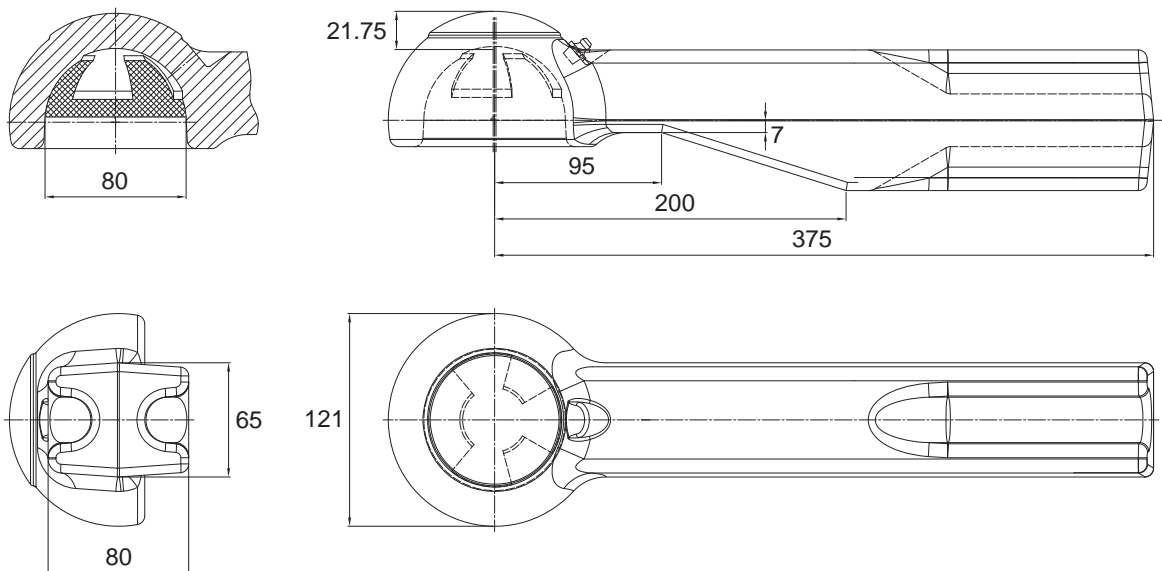
**Up to 3600kg Ton Vertical Load**

• For ball hitches Ø 80 mm in accordance with ISO 24347

d-value (kN)	101
Drawbar Load (daN)	3600kg
Max towable mass	36 tons



DESCRIPTION	PART NUMBER
Weld-on ball and spoon hitch	10419



**Weld-On Ball & Spoon Type Hitch**

**Up to 3000kg Ton Vertical Load**

• For ball hitches Ø 80 mm in accordance with ISO 24347

d-value (kN)	110
Drawbar Load (daN)	3000kg



DESCRIPTION	PART NUMBER
Weld-on ball and spoon hitch	ROE57391