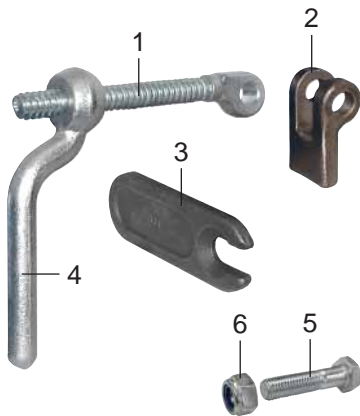


Heavy Duty Ramp Fastener (5/8" ACME Threaded)

• Supplied complete with fastening plate

L	W	X	D	L2	PLATE THICKNESS	PART NUMBER
165	38	175	17.5	146	9.5	10016



Individual Ramp Fastener Parts

No.	DESCRIPTION	PART NUMBER
1	ACME Threaded shaft (Zinc plated)	10355
2	Short pattern back plate (Self colour for welding)	10357
3	Fastening plate (Self colour for welding)	10069
4	ACME Threaded ramp fastener handle (Zinc plated)	10356
4	M16 Threaded ramp fastener handle to suit old type ramp fastener (Zinc plated)	10281
5	M12 x 50mm DIN 933 Bolt	M1250DIN933
6	M12 Nut	M12DIN985



Bonnet Hooks

LENGTH	DESCRIPTION	PART NUMBER
65mm	Complete bonnet hook	Z900650
120mm	Complete bonnet hook	RA646C
130mm	Complete bonnet hook	Z901300