

Dimensions

A	210
B	150
C	150
D	88
E	38
F	20
G	16
H	13.8

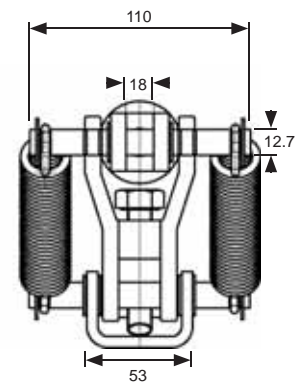
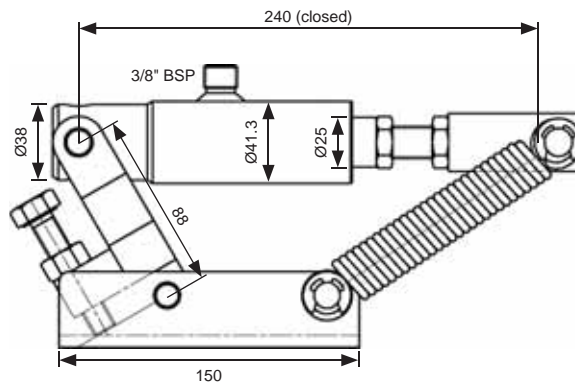
**Brake Ram Kit - Single Spring Return**

STROKE	MAX WORKING PRESSURE	PORT SIZE	OD	ROD SIZE	PART NUMBER
75mm	210 bar	3/8" BSP Male	38mm	20mm	D008



**Replacement Parts to suit OLD Type Brake Ram Kits**

REPLACEMENT PARTS TO SUIT	PART NUMBER
External spring c/w 'S' hook	D008SPRING
Seal kit to suit D008 - WYE	SEISP0494
Seal kit to suit D008 - KAVEE	BCB2098SEAL

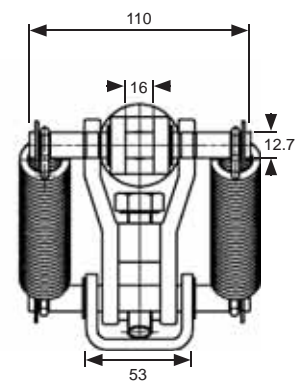
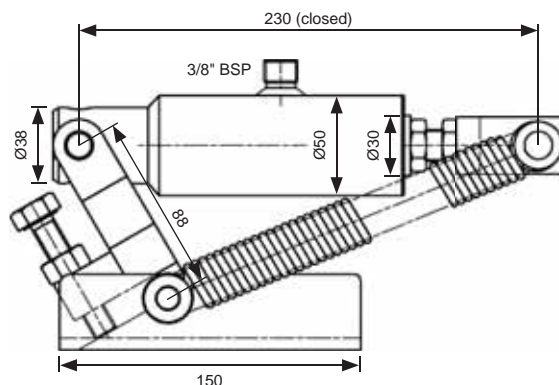


**Brake Ram Kit - Double Spring Return**

STROKE	MAX WORKING PRESSURE	PORT SIZE	OD	ROD SIZE	PART NUMBER
75mm	210 bar	3/8" BSP Male	38 / 41.3mm	25mm	BC2575C2B

**Replacement Parts to suit Brake Ram Kit - BC2575C2B**

REPLACEMENT PARTS TO SUIT	PART NUMBER
External spring to suit BC2575C2B	BC2575C2BSPRING



**Brake Ram Kit - Double Spring Return**

STROKE	MAX WORKING PRESSURE	PORT SIZE	OD	ROD SIZE	PART NUMBER
75mm	210 bar	3/8" BSP Male	38 / 50mm	30mm	BC3075C2A