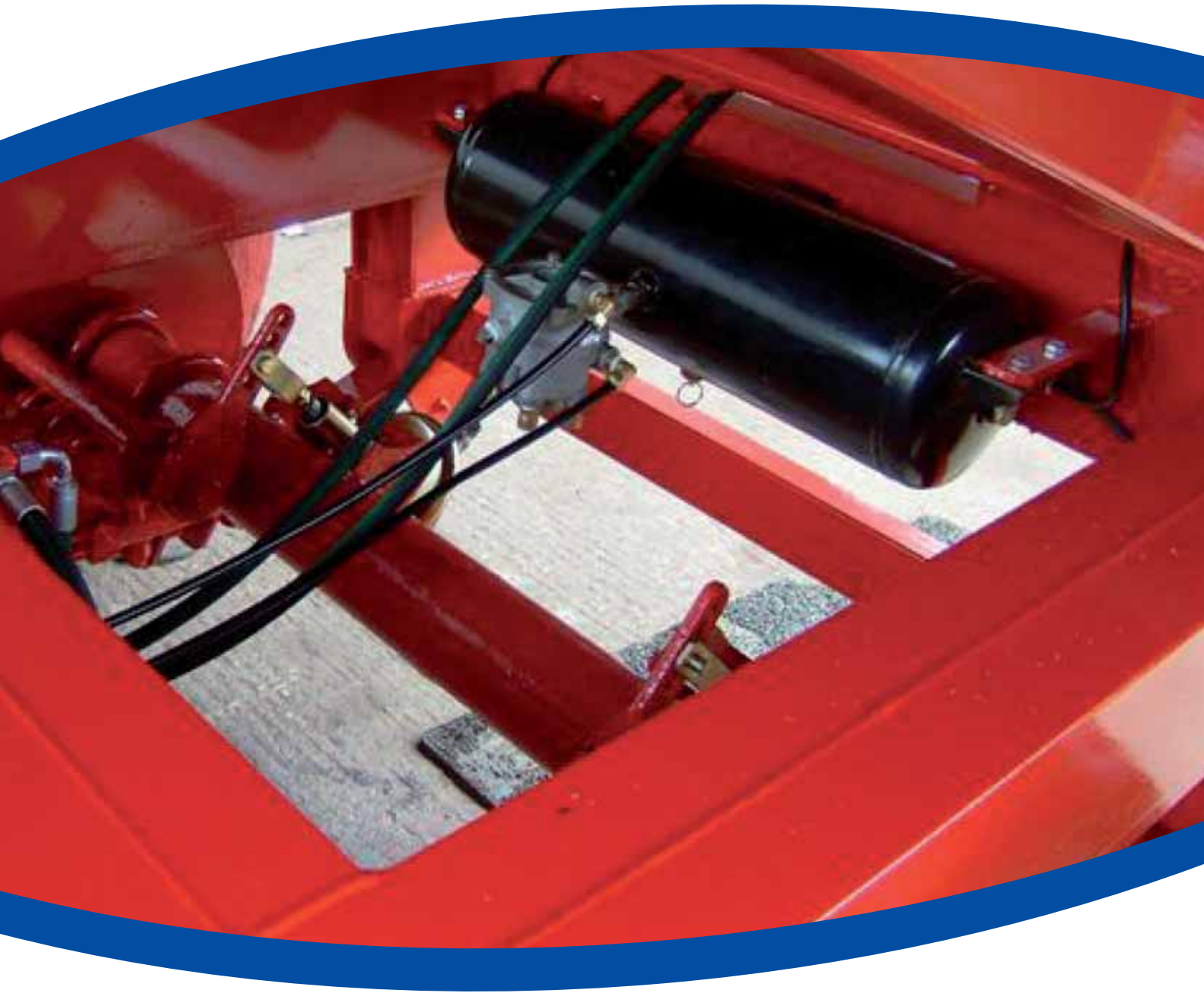


[www.mchc.ie](http://www.mchc.ie)

# McHUGH

C O M P O N E N T S



## Air Brake Components

2011



### Relay Valve RV2 Standard

- For use on single axle trailers

WORKING PRESSURE	SEAL KIT TO SUIT	OEM REFERENCE	PART NUMBER
10 bar	770109AB	971 002 150 0	<b>770100AB</b>



### Relay Valve

- For use on single axle trailers (1 line)

WORKING PRESSURE	SEAL KIT TO SUIT	OEM REFERENCE	PART NUMBER
10 bar	770609AB	471 003 020 0	<b>770600AB</b>



### Relay Valve RV6 Standard

- For use on twin and tri-axle trailers

WORKING PRESSURE	SEAL KIT TO SUIT	OEM REFERENCE	PART NUMBER
10 bar	770509AB	971 002 152 0	<b>770500AB</b>



### Relay Valve RV6 Load Sensing

- For use on twin and tri-axle trailers

WORKING PRESSURE	SEAL KIT TO SUIT	OEM REFERENCE	PART NUMBER
10 bar	770209AB	475 712 000 0	<b>770200AB</b>

### Replacement Rubber to suit RV6 Load Sensing

DESCRIPTION	PART NUMBER
Replacement rubber only to suit RV6	<b>770205AB</b>

### Load Sensing Valve Lower Linkage Kit

DESCRIPTION	PART NUMBER
Lower linkage kit to suit load sensing valve	<b>770202AB</b>



### Knuckle Joint Adjuster

- Knuckle joint thread: M8 Female

DESCRIPTION	ARM LENGTH	PART NUMBER
Knuckle joint adjuster	200mm	<b>770206AB</b>



**Shunt Valve**

DESCRIPTION	PART NUMBER
Standard shunt valve	770300AB



**Shunt Valve (Manual Load Proportioning)**

DESCRIPTION	PART NUMBER
Shunt valve manual load proportioning	770400AB



**2 Line Quick Release Valve**

INLET PORTS	OUTLET PORTS	DESCRIPTION	PART NUMBER
M22	M22 (x2)	2 Line QR valve	770700AB



**Silencer to suit 2 Line Quick Release Valve**

DESCRIPTION	PART NUMBER
M22 Silencer to suit 770700AB	770701AB



**4 Line Quick Release Valve**

INLET PORTS	OUTLET PORTS	DESCRIPTION	PART NUMBER
M22	M16 (x4)	4 QR valve	770800AB



**Silencer to suit 4 Line Quick Release Valve**

DESCRIPTION	PART NUMBER
M22 Silencer to suit 770800AB	770701AB

**20 Litre Air Tank / Strap Mounted**

DESCRIPTION	PART NUMBER
Air tank 20 litre - less straps 206 x 660	<b>771400AB</b>
Strap to suit 771400AB	<b>771401AB</b>

**30 Litre Air Tank / Strap Mounted**

DESCRIPTION	PART NUMBER
Air tank 30 litre - less straps 246 x 700	<b>771800AB</b>
Strap to suit 771800AB	<b>771701AB</b>

**37 Litre Air Tank / Strap Mounted**

DESCRIPTION	PART NUMBER
Air tank 37 litre - less straps 246 x 850	<b>771700AB</b>
Strap to suit 771700AB	<b>771701AB</b>

**60 Litre Air Tank / Strap Mounted**

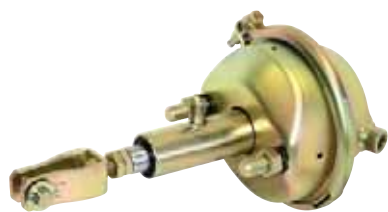
DESCRIPTION	PART NUMBER
Air tank 60 litre - less straps 310 x 880	<b>771000AB</b>
Strap to suit 771000AB	<b>771001AB</b>

**Air Tanks / End Mounted**

DESCRIPTION	PART NUMBER
Air tank 38 litre end mounted 246 x 815	<b>771600AB</b>
Air tank 50 litre end mounted 300 x 773	<b>771900AB</b>
Air tank 60 litre end mounted 300 x 888	<b>771300AB</b>

**Air Tanks / Side Mounted**

DESCRIPTION	PART NUMBER
Air tank 60 litre side mounted 310 x 895	<b>771200AB</b>



**Hydraulic / Pneumatic Brake Actuators-Internal Spring**

AIR POT TYPE	HYDRAULIC RAM ROD SIZE	AIR POT PORT	HYDRAULIC RAM PORT	PART NUMBER
12	25	16mm	3/8" BSP	BCDT1225
16	25	16mm	3/8" BSP	BCDT1625
20	25	16mm	3/8" BSP	BCDT2025
20	30	16mm	3/8" BSP	BCDT2030
24	30	16mm	3/8" BSP	BCDT2430

**Pneumatic Brake Actuator c/w Clevis**



TYPE	DESCRIPTION	PART NUMBER
T24	Pneumatic brake actuators with clevis	772600AB

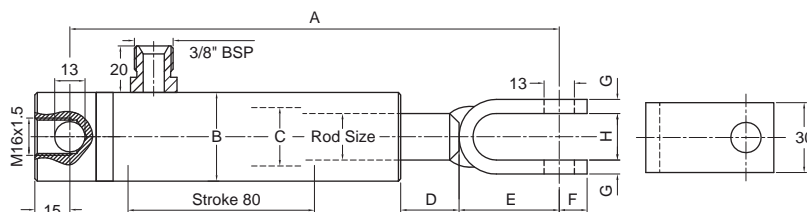
**Pneumatic Brake Actuator less Clevis**

TYPE	DESCRIPTION	PART NUMBER
T12	Pneumatic brake actuators less clevis	772100AB
T16	Pneumatic brake actuators less clevis	772700AB
T20	Pneumatic brake actuators less clevis	772200AB
T30	Pneumatic brake actuators less clevis	772400AB



**Clevises to suit Pneumatic Brake Actuator**

DESCRIPTION	PART NUMBER
Standard Clevis to suit Brake Actuators T12, T20, T24 and T30	772500AB
Short Clevis to suit Brake Actuators T12, T20, T24 and T30	772501AB



**Brake Ram c/w Dual Pin Hole / Threaded Base - Pin Hole Clevis**

External Spring Return.

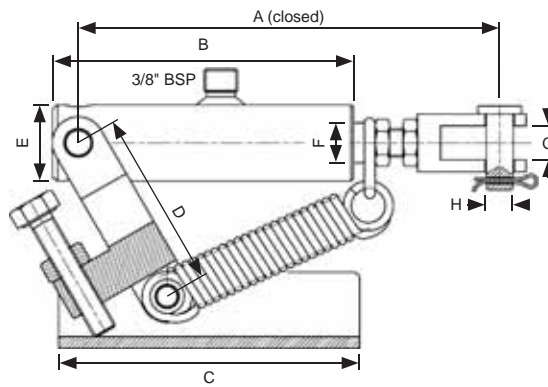
ROD SIZE	STROKE	DIMENSIONS								MAX WORKING PRESSURE	PORT SIZE MALE	PART NUMBER
		A	B	C	D	E	F	G	H			
20mm	80mm	210	38	25	25	43	12	6	20	250bar	3/8" BSP	BC2080TH
25mm	80mm	230	45	30	28	60	14	8	15	250bar	3/8" BSP	BC2580TH
30mm	80mm	230	45	35	28	60	14	8	15	230bar	3/8" BSP	BC3080TH



**Springs to suit**

LENGTH	OD	ID	WIRE Ø	PART NUMBER
190mm	27mm	19mm	4mm	BCS190
220mm	38mm	28mm	5mm	BCS220
235mm	27mm	19mm	4mm	BCS235

Full Range of Hydraulic Rams available, including Tipping and Back Door Rams. See our Hydraulics Catalogue for further details.



Dimensions

	D008	D154
A	210	236
B	150	167
C	150	150
D	88	88
E	38	38 / 41.3
F	20	25
G	16	14
H	13.8	12.5

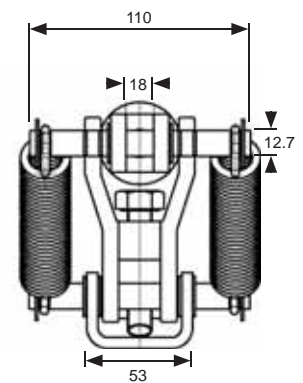
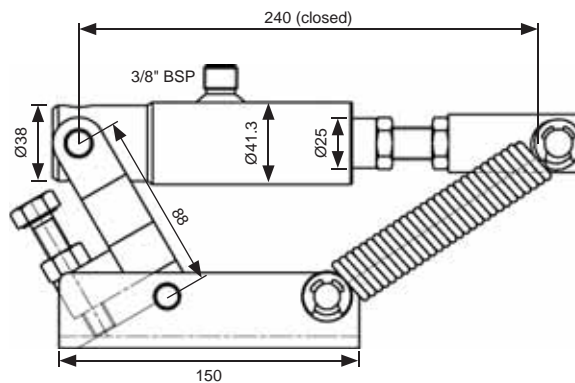
**Brake Ram Kit - Single Spring Return**

STROKE	MAX WORKING PRESSURE	PORT SIZE	OD	ROD SIZE	PART NUMBER
75mm	210 bar	3/8" BSP Male	38mm	20mm	<b>D008</b>



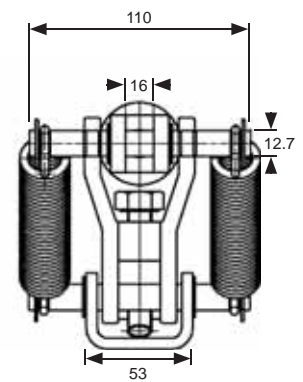
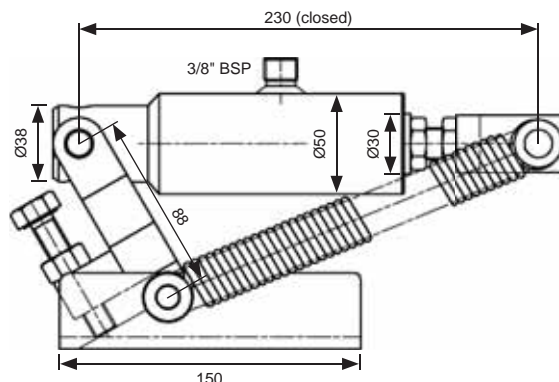
**Replacement Parts to suit OLD Type Brake Ram Kits**

REPLACEMENT PARTS TO SUIT	PART NUMBER
External spring c/w 'S' hook	<b>D008SPRING</b>
Seal kit to suit D008 - WYE	<b>SEISP0494</b>
Seal kit to suit D008 - KAVEE	<b>BCB2098SEAL</b>



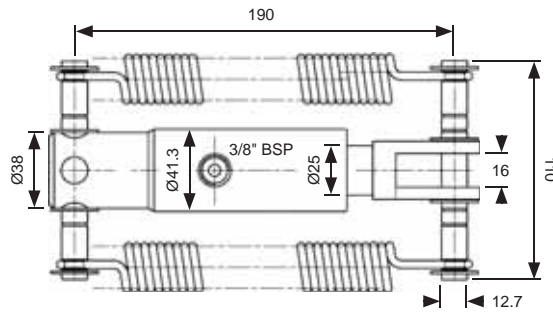
**Brake Ram Kit - Double Spring Return**

STROKE	MAX WORKING PRESSURE	PORT SIZE	OD	ROD SIZE	PART NUMBER
75mm	210 bar	3/8" BSP Male	38 / 41.3mm	25mm	<b>BC2575C2B</b>



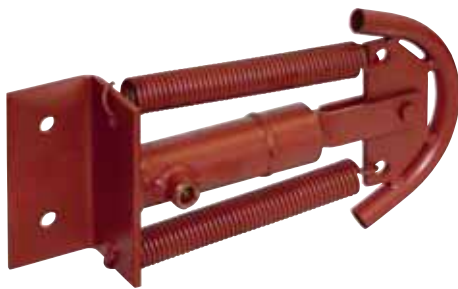
**Brake Ram Kit - Double Spring Return**

STROKE	MAX WORKING PRESSURE	PORT SIZE	OD	ROD SIZE	PART NUMBER
75mm	210 bar	3/8" BSP Male	38 / 50mm	30mm	<b>BC3075C2A</b>



**Brake Ram Kit - Double Spring Return**

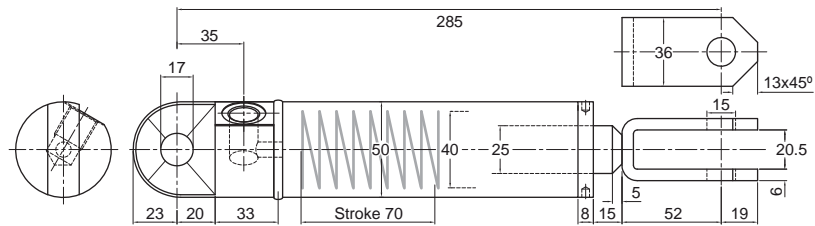
STROKE	MAX WORKING PRESSURE	PORT SIZE	OD	ROD SIZE	PART NUMBER
75mm	210 bar	3/8" BSP Male	38 / 41.3mm	25mm	<b>BC2575C1</b>
Replacement sprint to suit BC2575C1 brake ram kit (single spring supplied, for set order 2)					<b>BC2575C1SPRING</b>



**Brake Ram with External Return Springs / Bracket**

ROD SIZE	STROKE	MAX WORKING PRESSURE	PORT SIZE	PART NUMBER
			MALE	
35	90	-	3/8" BSP	<b>F435</b>

**SATURN**

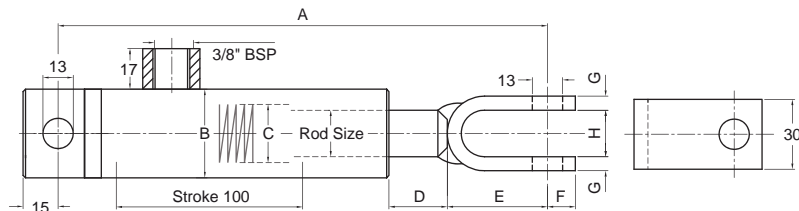


**Brake Ram**

Internal spring return.

STROKE	MAX WORKING PRESSURE	PORT SIZE	ROD SIZE	PART NUMBER
		FEMALE		
70mm	250 bar	3/8" BSP	25mm	<b>5600</b>

**SATURN**



**Brake Ram**

Internal Spring Return.

ROD SIZE	STROKE	DIMENSIONS								MAX WORKING PRESSURE	PORT SIZE	PART NUMBER
		A	B	C	D	E	F	G	H		MALE	
20mm	100mm	300	45	39	32	60	14	8	15	250 bar	3/8" BSP	<b>BCS20100</b>
25mm	100mm	300	45	39	32	60	14	8	15	250 bar	3/8" BSP	<b>BCS25100</b>
30mm	100mm	300	45	39	32	60	14	8	15	250 bar	3/8" BSP	<b>BCS30100</b>

**ATTENTION ! This is an emergency brake device IT IS NOT A PARK BRAKE DEVICE !**



**Emergency Brake Kit (Hydraulic / Mechanical)**

Applies Brakes to Trailer in case of accidental Unhitching or Breakaway

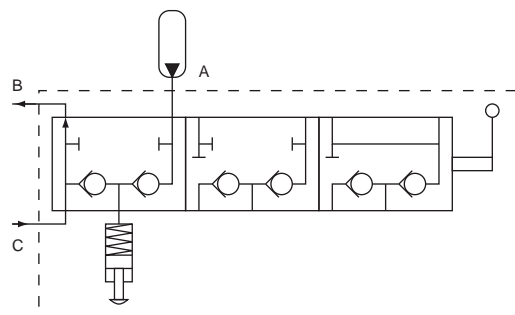
Contains:

- Hydraulic accumulator
- Emergency brake valve c/w residual pressure release button
- Breakaway quick release couplings and fittings

Note: Requires extra hydraulic piping and pull cable

DESCRIPTION	Application	PART NUMBER
Kit c/w 0.7 ltr Accumulator	Single axle trailers	<b>EBK001</b>
Kit c/w 2.0 ltr Accumulator	Twin axle trailers	<b>EBK002</b>

A = Accumulator  
 B = To Brake Actuator  
 C = From Tractor Brake Line



**Emergency Brake Valve Only**

- With residual pressure removal button

DESCRIPTION	PORTS	PART NUMBER
Emergency brake valve	M18x1.5	<b>203121</b>

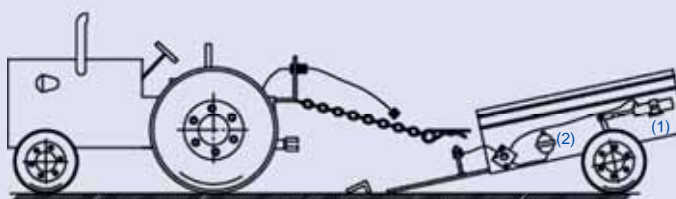
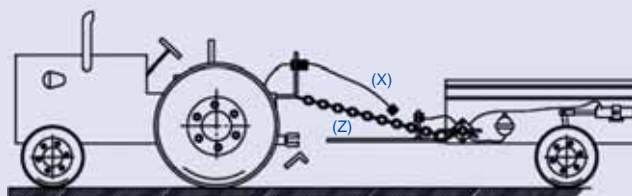
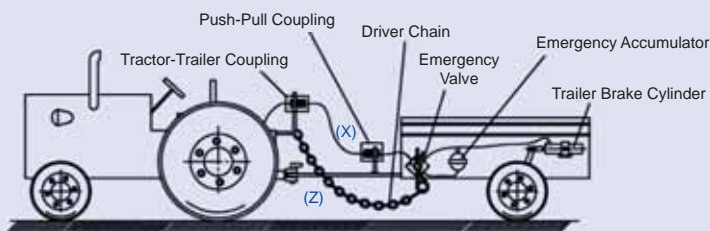
**Application Information**

Hydraulic Brake Line(x) is fitted with special Breakaway Coupling to prevent spillage.

Emergency Valve is connected to the tractor by the operator with Cable/Chain(z) (Not supplied)

If the Trailer accidentally detaches, the Hydraulic Line(x) breaks away and the Cable/Chain(z) will engage the Emergency Valve

(1) As the Trailer detaches, the Brake Actuators are automatically applied with pressure from the (2) on-board Accumulator, which stops the Trailer safely.







**Air Tubing**

COLOUR	SIZE	ROLL LENGTH	PART NUMBER
Black	10 x 1.25	-	<b>773103AB</b>
Black	10 x 1.25	100 metres	<b>773107AB</b>
Yellow	10 x 1.25	-	<b>773100AB</b>
Red	10 x 1.25	-	<b>773105AB</b>
Black	12 x 1.5	-	<b>773106AB</b>
Yellow	12 x 1.5	-	<b>773101AB</b>
Red	12 x 1.5	-	<b>773102AB</b>
Black	18 x 2.0	-	<b>773104AB</b>



**Brake Hose**

COLOUR	HOSE ID	WALL THICKNESS	PART NUMBER
Black	13	6	<b>07625020AB</b>



**Service and Emergency Air Coils**

DESCRIPTION	PART NUMBER
Service line coil - Yellow air coil 22 turns	<b>773200AB</b>
Emergency line coil - Red air coil 22 turns	<b>773201AB</b>



**'C' Type Coupling - Male Air Quick Release**

DESCRIPTION	THREAD	PART NUMBER
Quick release male 'C' coupling M22	M22 x 1.5	775100AB



**'C' Type Coupling - Female Air Quick Release**

DESCRIPTION	THREAD	PART NUMBER
Quick release female 'C' coupling M22	M22 x 1.5	775200AB
Quick release operating valve M22	M22 x 1.5	775300AB



**Parts for fitting Dummy 'C' Type Couplings (Weld-On)**

DESCRIPTION	PART NUMBER
Weld-on bush	LSN06E
Adaptor to suit	630-06-22



**Parts for fitting Dummy 'C' Type Couplings (Drill Type)**

DESCRIPTION	PART NUMBER
Bulkhead for fitting dummy 'C' coupling	774603AB

**Self Sealing Emergency Line 'C' Type Couplings**

• British Standard: BSAU138b:200



DESCRIPTION	THREAD	TRACTOR	TRAILER
Emergency line self-sealing quick releases	M16 x 1.5	775203AB	-
	M22 x 1.5	775201AB	775101AB

**Self Sealing Service Line 'C' Type Couplings**

• British Standard: BSAU138b:200



DESCRIPTION	THREAD	TRACTOR	TRAILER
Service line self-sealing quick releases	M16 x 1.5	775103AB	-
	M22 x 1.5	775102AB	775202AB



### Palm Coupling

DESCRIPTION	PART NUMBER
Palm coupling M22 x 1.5mm Red	775400AB
Palm coupling M22 x 1.5mm Yellow	775500AB
Palm coupling M22 x 1.5mm Black	775600AB



### Palm Coupling c/w Spud

DESCRIPTION	PART NUMBER
Palm coupling M22 x 1.5mm Black	775601AB



### Handle Set to suit Palm Couplings

DESCRIPTION	PART NUMBER
Handle set to suit palm couplings	775800AB



### Hanger to suit Palm Couplings

DESCRIPTION	PART NUMBER
Hanger set to suit palm couplings	775700AB



### Stud Tee Test Point

DESCRIPTION	PART NUMBER
Stud tee test point M22 x 10mm	774902AB
Stud tee test point M22 x 12mm	774904AB



### Stud Run Test Point

DESCRIPTION	PART NUMBER
Stud run test point M22 x 10mm	774903AB
Stud run test point M22 x 12mm	774905AB



### Test Point Coupling

DESCRIPTION	PART NUMBER
Test point coupling M16	774900AB
Test point coupling M22	774901AB



### Drain Valve

DESCRIPTION	PART NUMBER
Drain valve M 22mm thread c/w 6ft cable	774400AB
Drain valve M 22mm thread less cable	774401AB



### Straight Stud

DESCRIPTION	PART NUMBER
Straight stud 10mm x 1.25 tube - M16mm thread	774100AB
Straight stud 10mm x 1.25 tube - M22mm thread	774101AB
Straight stud 18mm x 2.0 tube - M22mm thread	774103AB
Straight stud 12mm x 1.5 tube - M22 thread	774104AB
Straight stud 12mm x 1.5 tube - M16mm thread	774105AB
Straight stud 12mm x 1.5 tube - M12mm thread	774106AB



### Straight Bulkhead Stud

DESCRIPTION	PART NUMBER
Straight bulkhead stud 10mm x 1.25 Tube - M22mm thread	774120AB



### Elbow Stud

DESCRIPTION	PART NUMBER
Elbow stud 12mm x 1.5 tube - M16mm thread	774203AB
Elbow stud 10mm x 1.25 tube - M16mm thread	774200AB
Elbow stud 10mm x 1.25 tube - M22mm thread	774202AB
Elbow stud 12mm x 1.5 tube - M22 thread	774204AB
Elbow stud 18mm x 2.0 tube - M22 thread	774205AB
Elbow stud 16mm x 2.0 tube - M22 thread	774206AB
Elbow stud 10mm x 1.25 tube - M22mm thread long drop	774201AB



### 'T' Stud

DESCRIPTION	PART NUMBER
'T' 12mm x 1.5 tube - 12mm x 1.5 tube - M22mm thread	774300AB



### 'T' Piece

DESCRIPTION	PART NUMBER
'T' 10mm x 1.25 - 10mm x 1.25 - 10mm x 1.25 tube Tee piece	774301AB
'T' 10mm x 1.25 - 12mm x 1.50 - 10mm x 1.25 tube Tee piece	774302AB

**Straight Stud - Reusable**

DESCRIPTION	PART NUMBER
Stud 10 x 1.25 Tube M16 Push / Pull	778400AB
Stud 12 x 1.5 Tube M16 Push / Pull	778100AB
Stud 12 x 1.5 Tube M22 Push / Pull	778101AB

**Elbow Stud - Reusable**

DESCRIPTION	PART NUMBER
Stud 90° 10 x 1.25 Tube M16 Push / Pull	778500AB
Stud 90° 10 x 1.25 Tube M22 Push / Pull	778600AB
Stud 90° 12 x 1.5 Tube M16 Push / Pull	778200AB
Stud 90° 12 x 1.5 Tube M22 Push / Pull	778201AB

**'T' Piece - Reusable**

DESCRIPTION	PART NUMBER
Stud Tee 12 x 1.5 x 3 Tube Push / Pull	778300AB

**Bulkhead Adaptor - Male**

DESCRIPTION	PART NUMBER
Bulkhead adaptor 16mm x 22mm thread	774603AB
Bulkhead adaptor 22mm - 16mm c/w 10mm inner thread	774601AB
Bulkhead adaptor 22mm - 22mm c/w 16mm inner thread	774602AB

**Compression Bulkhead c/w Insert**

DESCRIPTION	PART NUMBER
M22 Bulkhead x 10L complete with insert	774604AB

**Female Sleeve**

DESCRIPTION	PART NUMBER
Female sleeve M22mm thread	774700AB

**Plug**

DESCRIPTION	PART NUMBER
Plug M16mm thread	774500AB
Plug M22mm thread	774501AB

**Bush**

DESCRIPTION	PART NUMBER
M22 Male x M16 Female bush	774701AB



**Brass Hose Tail c/w O' Ring**

THREAD	HOSE TAIL	PART NUMBER
1/2" BSP Male	13mm	<b>BRASSHT1213</b>
M22 Male	13mm	<b>774800AB</b>



**Thrust Rings / O' Rings**

SIZE	DESCRIPTION	PART NUMBER
M16	Thrust Ring M16	<b>777000AB</b>
	O' Ring to suit M16 Thrust Ring	<b>25015OR</b>
M22	Thrust Ring M22	<b>777001AB</b>
	O' Ring to suit M22 Thrust Ring	<b>25020OR</b>



**In-Line Filter**

DESCRIPTION	PART NUMBER
In-line filter M22	<b>776100AB</b>



**We can supply complete Air Brake Kits to suit your requirements.  
Contact a member of our Sales Staff on (01) 4137000  
or talk to your Sales Representative for further details.**



Tested to 1,000,000 cycles

**Hypress 2SN Hydraulic Hose, Ferrules and Clamps**

Hose Manufactured to: EN 853 2SN - DIN 20022 - exceed SAE 100 R2T specification

Hose Operating temperature: -40°C to +100°C

ID		DASH SIZE	OD	SINGLE CLAMP	DOUBLE CLAMP	FERRULE	HOSE
Inch	mm		mm				
1/4"	6.4	04	15.0	RS215	RS21515	0022-04	<b>2SN04</b>
3/8"	9.5	06	19.0	RS320	RS32020	0022-06	<b>2SN06</b>
1/2"	12.7	08	22.2	RS322	RS32222	0022-08	<b>2SN08</b>

**Hypress BSP Fittings**  
60° Cone



HOSE ID	THREAD	MALE STRAIGHT	FEMALE STRAIGHT	45° SWEPT ELBOW	90° SWEPT ELBOW	90° BLOCK ELBOW
1/4"	1/4" BSP	0350-04-04	0050-04-04	0250-04-04	0150-04-04	2300-04-04
1/4"	3/8" BSP	0350-04-06	0050-04-06	0250-04-06	0150-04-06	2300-04-06
3/8"	3/8" BSP	0350-06-06	0050-06-06	0250-06-06	0150-06-06	2300-06-06
3/8"	1/2" BSP	0350-06-08	0050-06-08	0250-06-08	0150-06-08	2300-06-08
1/2"	1/2" BSP	0350-08-08	0050-08-08	0250-08-08	0150-08-08	2300-08-08

**Hypress BSP Adaptors**



THREAD	THREAD	MALE MALE	MALE MALE BULKHEAD	MALE FEMALE SWIVEL	MALE FEMALE FIXED	FEMALE FEMALE SWIVEL	FEMALE FEMALE FIXED
1/4" BSP	1/4" BSP	636-04-04	640-04-04	626-04-04	2000-04-33	616-04-04	A105-04-04
1/4" BSP	3/8" BSP	635-04-06	-	625-04-06	-	615-04-06	A105-04-06
1/4" BSP	1/2" BSP	635-04-08	-	625-04-08	-	615-04-08	A105-04-08
3/8" BSP	3/8" BSP	636-06-06	640-06-06	626-06-06	2000-06-54	616-06-06	A105-06-06
3/8" BSP	1/2" BSP	635-06-08	-	625-06-08	-	615-06-08	A105-06-08
1/2" BSP	1/2" BSP	636-08-08	640-08-08	626-08-08	2000-08-45	616-08-08	A105-08-08






**Hypress BSP 90° Adaptors**



THREAD	MALE MALE 90° SWEPT	MALE MALE 90° BLOCKED	MALE FEMALE 90° SWEPT	MALE FEMALE 90° BLOCKED	FEMALE FEMALE 90° SWEPT	FEMALE FEMALE 90° BLOCKED
1/4" BSP	6369-04-04	6369-04-04B	6269-04-04	6269-04-04B	6169-04-04	6169-04-04B
3/8" BSP	6369-06-06	6369-06-06B	6269-06-06	6269-06-06B	6169-06-06	6169-06-06B
1/2" BSP	6369-08-08	6369-08-08B	6269-08-08	6269-08-08B	6169-08-08	6169-08-08B



**Hypress**  
BSP  
Cross & 'T' Pieces

					
THREAD	MALE CROSS	MALE 'T'	MALE FEMALE MALE 'T'	FEMALE MALE MALE 'T'	FEMALE 'T'
1/4" BSP	XMMMM04	TMMM-04	TMFM-04	TFMM-04	TFFF-04
3/8" BSP	XMMMM06	TMMM-06	TMFM-06	TFMM-06	TFFF-06
1/2" BSP	XMMMM08	TMMM-08	TMFM-08	TFMM-08	TFFF-08

**FRSTER**  
Quick Release & Brake Couplings

					
THREAD	1/2" MALE QR WITH MALE THREAD	1/2" MALE QR WITH FEMALE THREAD	1/2" MALE QR HOLDER	1/2" FEMALE QR WITH FEMALE THREAD	BRAKE LINE CARRIER WITH FEMALE THREAD
3/8" BSP	CNV138GASM	-	-	-	VF038GASF
1/2" BSP	CNV112GASM	NV12GASM	SS12M	NV12GASF	VF012GASF

**Safe-Spiral Hose Guard**

Made from High Density Polyethylene. Made from frost and heat resistant PE plastic, which is usable in temperatures from -50° to +100°C. Safe-Spiral is resistant to acids, oils and solvents. Contains antistatic additive and is UV-protected.



Available in Yellow on request

ID mm	OD mm	WALL THICKNESS	RECOMMENDED USAGE RANGE	COIL LENGTH	PART NUMBER
9.6	12	1.2mm	9 - 13mm	25 metres	SGX-12-M
13.4	16	1.3mm	13 - 18mm	25 metres	SGX-16-M
16.0	20	2.0mm	18 - 24mm	25 metres	SGX-20-M
20.6	25	2.2mm	24 - 28mm	25 metres	SGX-25-M
27.0	32	2.5mm	28 - 40mm	25 metres	SGX-32-M
34.6	40	2.7mm	35 - 45mm	25 metres	SGX-40-M
43.2	50	3.4mm	40 - 55mm	25 metres	SGX-50-M
55.6	63	3.7mm	55 - 62mm	25 metres	SGX-63-M
66.2	75	4.4mm	60 - 70mm	20 metres	SGX-75-M
80.2	90	4.9mm	70 - 90mm	20 metres	SGX-90-M
99.0	110	5.5mm	80 - 105mm	15 metres	SGX-110-M
127.0	140	6.5mm	125 - 150mm	10 metres	SGX-140-M

**Hypress**  
BSP  
Washers



SIZE	BONDED SEAL
1/4" BSP	DW04
3/8" BSP	DW06
1/2" BSP	DW08



**BSP 5 Port Junction Block**

Suitable for brake line junction

- 5 Female ports - 3/8" BSP
- Length: 85mm
- Hex: 45mm

THREAD	Female 5 Ports
3/8" BSP	BR06X5