

McHUGH

C O M P O N E N T S

www.mchc.ie



Automatic Lubrication System

2014

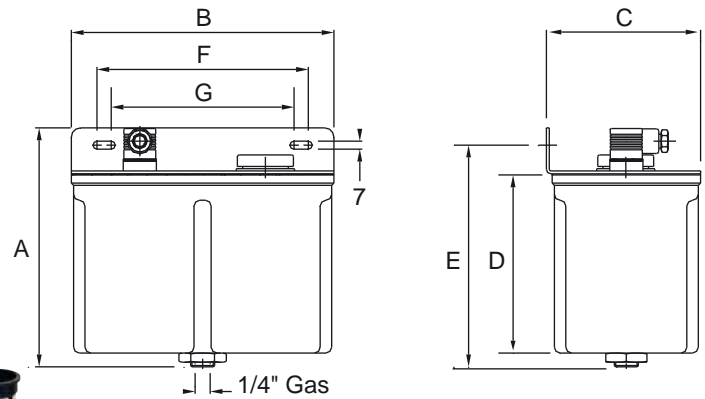


Basic One Line Oiling System

- 1.2 litre Reservoir
- Inline flow regulator
- 40mm Brush
- Fittings to suit

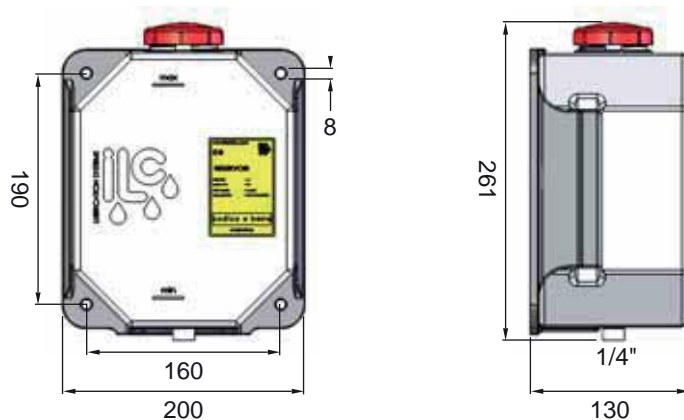
Note: Oiling tube ordered separately (Order part number AL301200 - sold per metre)

DESCRIPTION	PART NUMBER
Gravity Automatic Lubrication Kit	ALK001



Reservoirs

CAPACITY	MATERIAL	DIMENSIONS							RESERVOIR ONLY	RESERVOIRS WITH LOW LEVEL SWITCH
		A	B	C	D	E	F	G		
1.2 Litres	Polyester	161	148	123	108	146	132	125	ALA72079263	ALA72079260
2.2 Litres	Polyester	213	148	123	160	198	132	125	ALA72079264	ALA72079261
3.6 Litres	Polyester	208	230	135	155	193	185	160	ALA72079265	ALA72079262
6.0 Litres	Nylon	303	230	135	250	288	185	160	ALA72079269	ALA72079268
Replacement cap and filter to suit ALA type reservoir										A70093164



Reservoir

CAPACITY	MATERIAL	DESCRIPTION	OUTLET THREAD	PART NUMBER
4 Litres	HDPE	Reservoir with mounting bracket & cap filter	1/4" BSP	006525



Polymide Tube for Low Pressure Oiling Systems

DESCRIPTION	PART NUMBER
Polymide Tube 6X4	AL301200

Low Pressure Push-in Fittings

	TYPE	TO SUIT TUBE	1/8" GAS THREAD	1/4" GAS THREAD
	Straight	4mm	PC04-G01PI	-
		6mm	PC06-G01PI	PC06-G02PI
		8mm	-	PC08-G02PI
		10mm	-	PC10-G02PI
	90°	4mm	PL04-G01PI	-
		6mm	PL06-G01PI	PL06-G02PI
		8mm	-	PL08-G02PI
		10mm	-	PL10-G02PI



Brush

30mm body diameter, with 1/8" female connection and 40mm bristles

FEMALE THREAD	BRISTLE LENGTH	DESCRIPTION	PART NUMBER
1/8" G	40mm	Brush 40mm 1/8"	AL140001



Inline Flow Regulator


TUBE INLET	MALE THREAD	DESCRIPTION	PART NUMBER
1/8"	1/4" BSPT	Inline Flow Regulator	NSFSF06-02PI



Solenoid Valve

PORTS	DESCRIPTION	PART NUMBER
1/8"	Solenoid Valve 12V ON / OFF	AL14663512V

High Pressure Push-in Fittings

	TYPE	TO SUIT TUBE	M6 x 1 THREAD	M8 THREAD	1/8" GAS THREAD
	Straight	6mm	AL032561	AL106052	AL032560
	Banjo 90°	6mm	AL032565	AL032571	AL032566



Grease Filled Hose

- Working pressure: 56 bar
- Bursting pressure: 167 bar

Sold in 100 metre rolls only

DESCRIPTION	PART NUMBER
Grease Filled Hose M6X1.5	ALZZZ100004



Female / Male Extension

- Overall length: 32mm

FEMALE THREAD	MALE THREAD	DESCRIPTION	PART NUMBER
M8 x 1	M8 x 1	Extension - 4mm tube	AL1001321



Adaptor Extension

FEMALE THREAD	MALE THREAD	DESCRIPTION	PART NUMBER
M8 x 1	M8 x 1	Adaptor extension M8	AL100130



Female / Male Adaptor with 6mm Inner Thread

FEMALE THREAD	MALE THREAD	DESCRIPTION	PART NUMBER
1/8" Gas	1/8"	Adaptor - 6mm inner x 1/8 "	AL032050M6

**Nipple**

MALE THREAD	MALE THREAD	DESCRIPTION	PART NUMBER
1/8"	1/4"	Nipple	AL030003

**Adaptor to suit Solenoid Valve**

MALE THREAD	MALE THREAD	DESCRIPTION	PART NUMBER
1/8"	1/8"	Adaptor to suit Solenoid Valve	AL030005

**Male STR Fitting**

MALE THREAD	MALE THREAD	DESCRIPTION	PART NUMBER
M10 x 1	1/8"	Male STR Fitting 1/8" - M10X1	AL032210

**Adaptor 45°**

FEMALE THREAD	MALE THREAD	DESCRIPTION	PART NUMBER
1/8" BSP	1/8" BSP	Adaptor 45°	ZZZ100844

**Plug for Manifold**

MALE THREAD	DESCRIPTION	PART NUMBER
M10 x 1	Plug for Manifold	AL05110

**Plug**

MALE THREAD	DESCRIPTION	PART NUMBER
M12 x 1	Plug M12X1	AL050120

**Manifold**

DESCRIPTION	PART NUMBER
7 Port manifold	AL01526



Threaded Grease Nipples

THREAD SIZE	DEGREE	PART NUMBER
M6 x 1	180°	M6180
M6 x 1	90°	M690
M6 x 1	45°	M645
M8 x 1	180°	M8180
M8 x 1	90°	M890
M8 x 1	45°	M845
M8 x 1.25	180°	M8125180
M8 x 1.25	90°	M812590
M8 x 1.25	45°	M812545
M10 x 1	180°	M10180
M10 x 1	90°	M1090

THREAD SIZE	DEGREE	PART NUMBER
M10 x 1	45°	M1045
M10 x 1.5	180°	M1015180
M10 x 1.5	90°	M101590
M10 x 1.5	45°	M101545
1/8" BSP	180°	18180
1/8" BSP	90°	1890
1/8" BSP	45°	1845
1/4" BSP	180°	14180
1/4" BSP	90°	1490
1/4" BSP	45°	1445
1/4" UNF	180°	14180UNF



Flat Grease Nipples (Button Head)

THREAD SIZE	PART NUMBER
M8 x 1	FGN81
M10 x 1	FGN101
1/8" BSP	GNF1818016



Non-Threaded Grease Nipples

SIZE	DEGREE	PART NUMBER
6	180°	6180
8	180°	8180
8	90°	890



Assortment box of Threaded Grease Nipples

DESCRIPTION			PART NUMBER
Assortment box of Grease Nipples Contains the following:			NO19
25 of M6180	10 of M890	5 of M1045	
10 of M690	10 of M845	15 of 18180	
10 of M645	5 of M10180	5 of 1890	
25 of M8180	5 of M1090	5 of 1845	

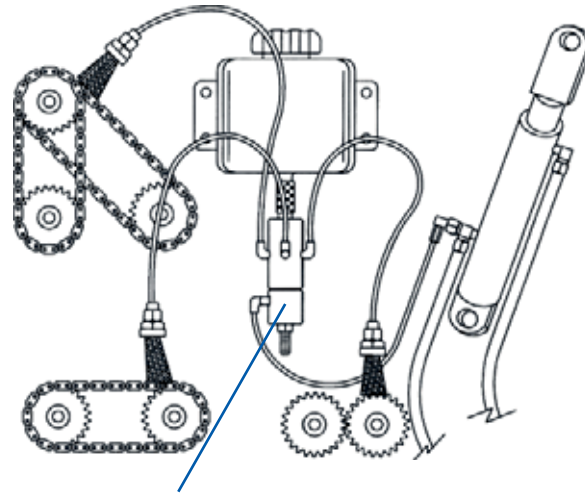


Grease Nipple Cap

DESCRIPTION	PART NUMBER
Grease nipple cap to suit 1/8" head	GNC18

Lube Minder®

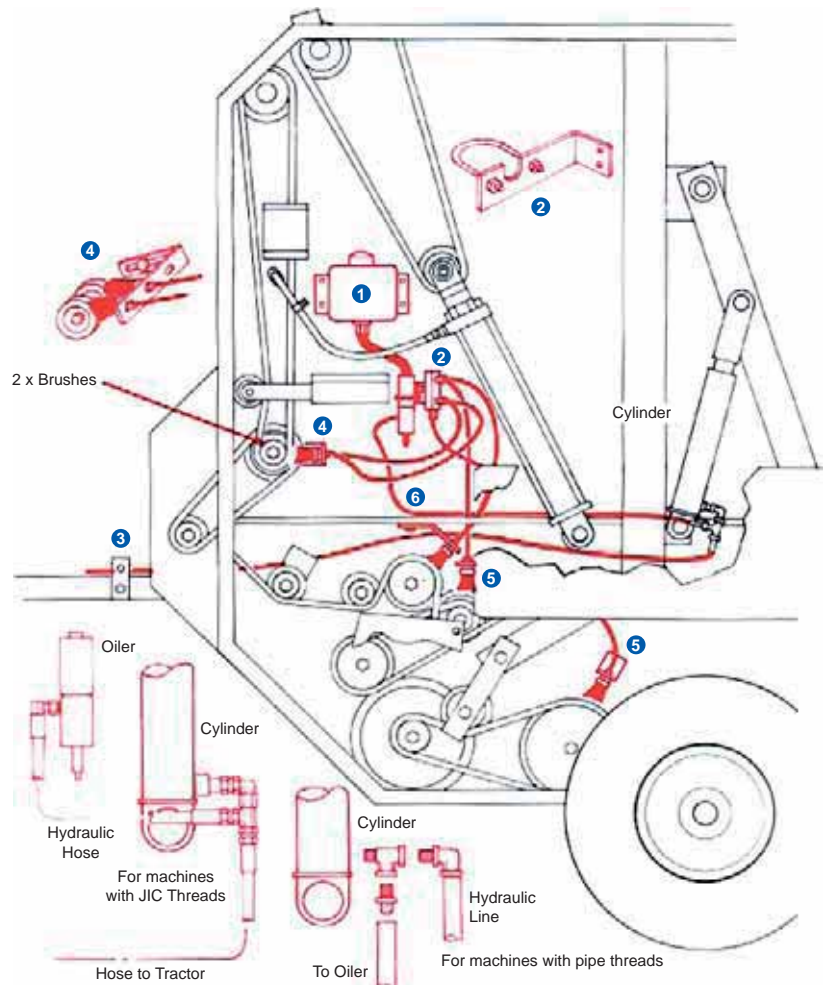
The Lube Minder® operates from any intermittent hydraulic signal. The pilot signal hose can be connected to a linear actuator, valve block, or manifold that does not trap pressure. The Lube Minder® is cycled when the pilot signal is present. The hydraulic pressure pushes the piston up - compressing the gravity fed lube oil in the pump body. The pressurization forces the ball check from the lube supply to seat. As the pressure builds the lube oil is forced out to the manifolds opening the line checks, dispensing a light thin film of oil to the brushes. The stroke is adjustable by turning the piston rod in, limiting the stroke.



Lubrication Pump is activated by pilot line from hydraulic ram, e.g. Baler ejector door

This diagram show a typical installation on a Round Baler. The Lube Minder® is spliced into the line that runs to the rear gate lift cylinder. Each time the rear gate is cycled the machine is oiled.

- ❶ Oil Reservoir Tank. Bolt-ed to the sheet metal of the Baler
- ❷ Lube Minder® Unit & Manifold Valve. Feeds oil to individual brushes.
- ❸ Hydraulic feed from the Tractor.
- ❹ Brush lubricating the main drive chains
- ❺ Brush lubricating the bale rolling chains
- ❻ A Hydraulic line leading from the Hydraulic Cylinder to the Lube Minder® unit

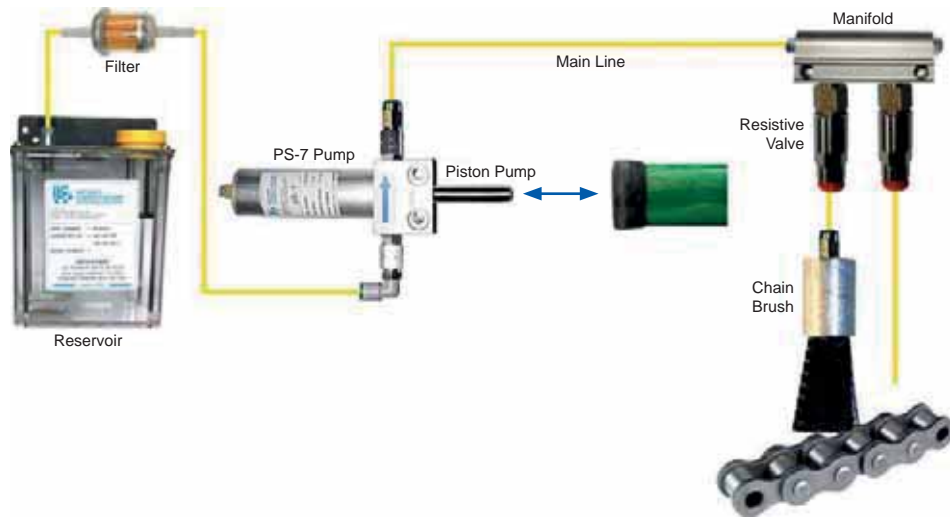


Lubrication Systems

There are varying types of lubrication systems to suit specific applications / requirements. We can provide a complete package from oil tanks to brush and everything in between. Contact a member of our Sales Team with your requirements.

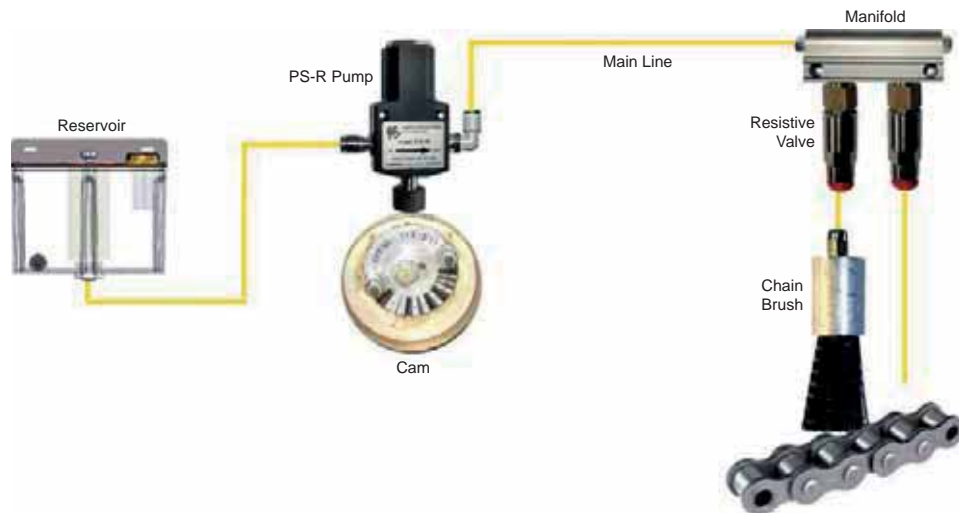
Resistive System

Piston Type



Resistive System

Cam Type



Resistive System

Hydraulic Pump Type

