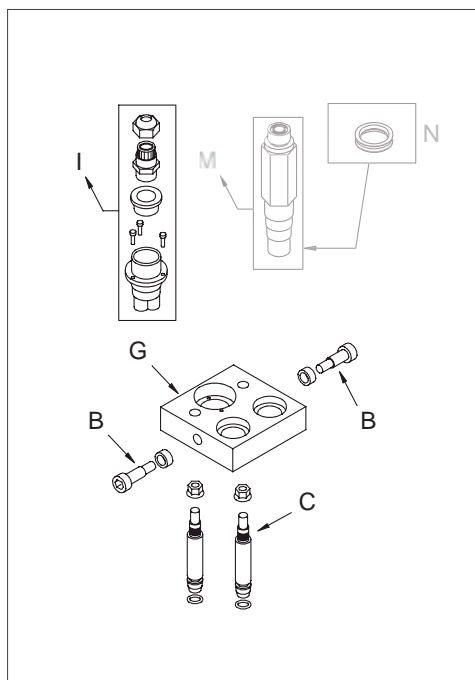
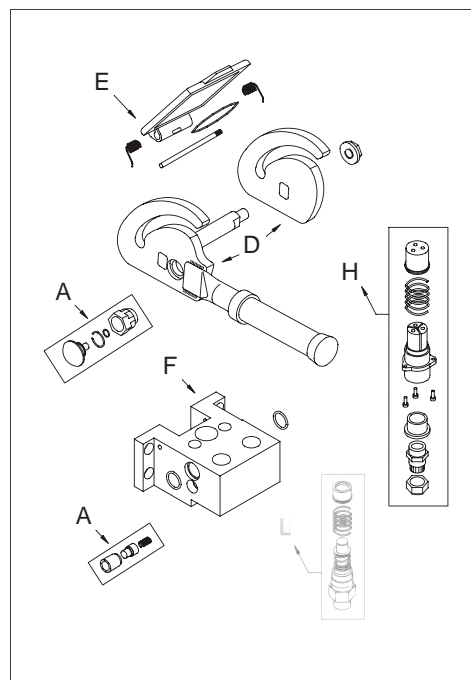


Male / Mobile Unit



Female / Fixed Unit



Replacement Parts to suit **Faster Multifaster Units**

TO SUIT SERIES	A	B	C	D	E	F
	Safety Kit	Pivot Screw	Dowel & Nut Set	Lever	Automatic Dust Cap	Fixed Block Part
2P206	KITSP5S & KITSP4	KITVP4	KITGP4	KITLP206	KITTAP2	KITP206F
2P208		KITVP8	KITGP4	KITLP208	KITTAP2	KITP208F
2PB06	KITSP5S	KITVPB06	KITGP4	KITLPB06	KITTAPB06	KITPB06F
2P306	KITSP5S & KITSP4	KITVP8	KITGP4	KITLP208	KITTAP2	KITP306F
2P506		KITVP4	KITGP4	KITLP506	KITTAP5	KITP506F
2P506-1		KITVP8	KITGP4	KITLP506-1	KITTAP5	KITP5061F
2P508		KITVP8	KITGP4	KITLP508	KITTAP5	KITP508F
2P510		KITVP8	KITGP4	KITLP510	KITTAP5	KITP510F
2P606		KITVP4	KITGP4	KITLP606	KITTAP6	KITP606F
2P608		KITVP8	KITGP4	KITLP608	KITTAP608	KITP608F
2P808		KITVP8	KITGP8	KITLP808	KITTAP8	KITP808F
2PS06		KITVP4	KITGP4	KITLP606	KITTAP6	KITPS06F
2PS06-1		KITVP4	KITGP4	KITLP606	KITTAP6	KITPS060F
2PS08		KITVP8	KITGP4	KITLPS08	KITTAP6	KITPS08F

TO SUIT SERIES	G, C, B	H		I		A, B, D, E, F
	Mobile Block Part (No Couplings)	Electrical Connections for Fixed Part		Electrical Connections for Mobile Part		Fixed Half (No Couplings)
		3 Poles	7 Poles	3 Poles	7 Poles	
2P206	KITP206M	-	-	-	-	KITP206FL
2P208	KITP208M	KITSPEL083F	KITSPEL087F	KITSPEL083M	KITSPEL087M	KITP208FL
2PB06	KITPB06M	-	-	-	-	KITPB06FL
2P306	KITP306M	KITSPEL083F	KITSPEL087F	KITSPEL083M	KITSPEL087M	KITP306FL
2P506	KITP506M	-	-	-	-	KITP506FL
2P506-1	KITP5061M	KITSPEL083F	KITSPEL087F	KITSPEL083M	KITSPEL087M	KIT506-1FL
2P508	KITP508M	KITSPEL083F	KITSPEL087F	KITSPEL083M	KITSPEL087M	KITP508FL
2P510	KITP510M	KITSPEL083F	KITSPEL087F	KITSPEL083M	KITSPEL087M	KITP510FL
2P606	KITP606M	-	-	-	-	KITP606FL
2P608	KITP608M	KITSPEL083F	KITSPEL087F	KITSPEL083M	KITSPEL087M	KITP608FL
2P808	KITP808M	KITSPEL083F	KITSPEL087F	KITSPEL083M	KITSPEL087M	KITP808FL
2PS06	KITPS06M	-	-	-	-	KITS506FL
2PS06-1	KITPS060M	KITSPEL083FS	KITSPEL087FS	KITSPEL083MS	KITSPEL087MS	KITPS060FL
2PS08	KITPS08M	KITSPEL083F	KITSPEL087F	KITSPEL083M	KITSPEL087M	KITS508FL