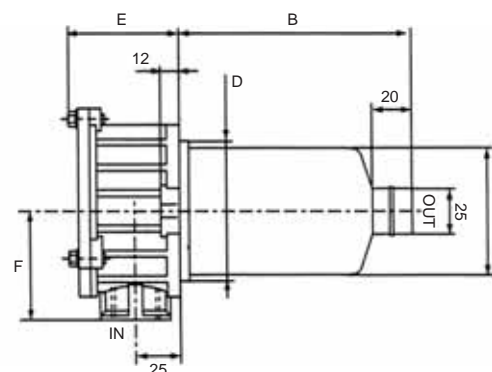
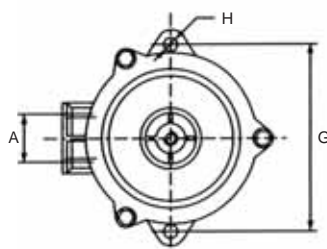


In Tank Mounting Filter

Design: Return filter
 Working pressure: Maximum 3 bar N (standard) type, maximum 10 bar H-type
 Temperature: -25°C to +110°C
 Material: Cavity: Aluminium
 Seals: NBR, viton on request
 Mounting: Tank mounting (BSP), on request NPT and SAE port
 Flow: Depends on type
 Filtering: From outside to inside
 Pressure drop: Flow dependent
 Medium: Mineral oil, emulsion and most synthetic oils. Maximum working pressure 3 bar. Bypass pressure 1.75 bar



In Tank Mounting Filter - Type MPF 100

DIMENSIONS							FILTER MATERIAL		PORT A	SPARE ELEMENT	OUTLET	PART NUMBER
B	C	D	E	F	G	H	MICRONS	TYPE				
100	80	88	75	67.5	115	8.5	25	Paper	3/4" BSP	MF1001P25	120 lpm	-
150	80	88	75	67.5	115	8.5	25	Paper	1" BSP	-	250 lpm	MPF1002P25

In Tank Mounting Filter - Type MPF 180

DIMENSIONS							FILTER MATERIAL		PORT A	SPARE ELEMENT	OUTLET	PART NUMBER
B	C	D	E	F	G	H	MICRONS	TYPE				
235	110	129	89	96	175	10.5	25	Paper	1 1/4" BSP	MF1801P25	330 lpm	MPF1801P25